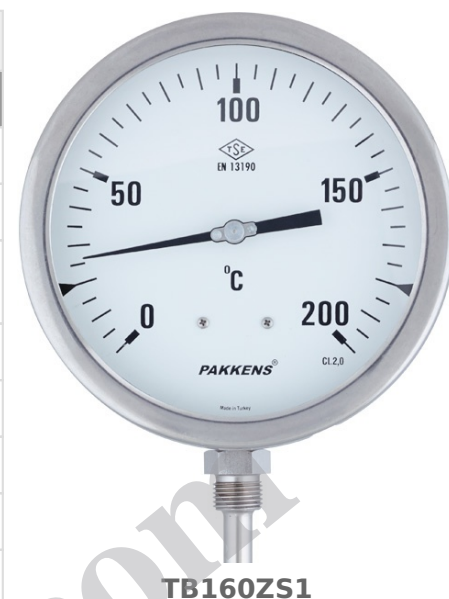


**Temperature Gauges / Bi-Metal Thermometers / Industrial Bi-Metal Thermometers / Ø 160 mm.**
**CONSTRUCTIVE PROPERTIES**

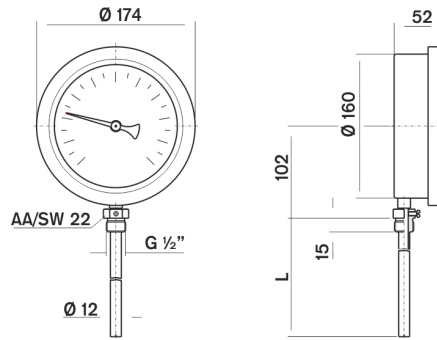
	STANDARD	OPTIONAL
Mounting Type	Bottom Connection	Back Connection
Scale Unit	°C	°F
Scale Range (T)	-30/+60°C   0/+60°C     0/+100°C   0/+120°C   0/+160°C       0/+300°C   0/+350°C   0/+400°C   0/+500°C	
Case	Stainless Steel AISI-304	Stainless Steel AISI-316L
Bezel	Stainless Steel AISI-304	Stainless Steel AISI-316L
Window	Glass	Safety Glass
Connection	G 1/2" B	1/2" NPT
Dial	Aluminum	-
Pointer	Aluminum	-
Filling Liquid	-	Silicon Oil ( $\leq +300^{\circ}\text{C}$ )
Bi-Metal Stem	Stainless Steel AISI-316	-
Temperature Element	Bi-metal	-
Stem Ø	9 mm	6mm   8mm
Thermowell	Stainless Steel AISI-316	-
Immersion Length	100mm   150mm   200mm   250mm   300mm   400mm   500mm 700mm   1000mm	

**USAGE PROPERTIES**

Accuracy Class	CL 2.0	CL 1.0
Protection Rate	IP 51	IP 65
Storage Temperature	-40 ... +70 °C	-
Conformity	EN 13190	ATEX 94/9/EC
Max.Pressure	25 bar	-


**TB160ZS1**

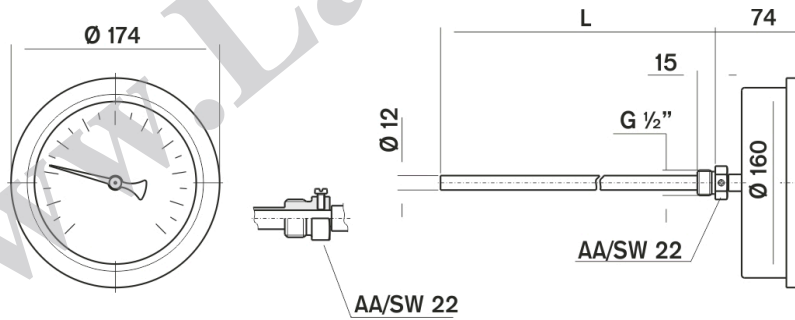
Temperature Gauges / Bi-Metal Thermometers / Industrial Bi-Metal Thermometers / Ø 160 mm.



- L = 100
- L = 150
- L = 200
- L = 250
- L = 300
- L = 400
- L = 500
- L = 700
- L = 1000

Model No: TB160ZS1

Bottom Connection



- L = 100
- L = 150
- L = 200
- L = 250
- L = 300
- L = 400
- L = 500
- L = 700
- L = 1000

Model No: TB160ZS2

Back Connection